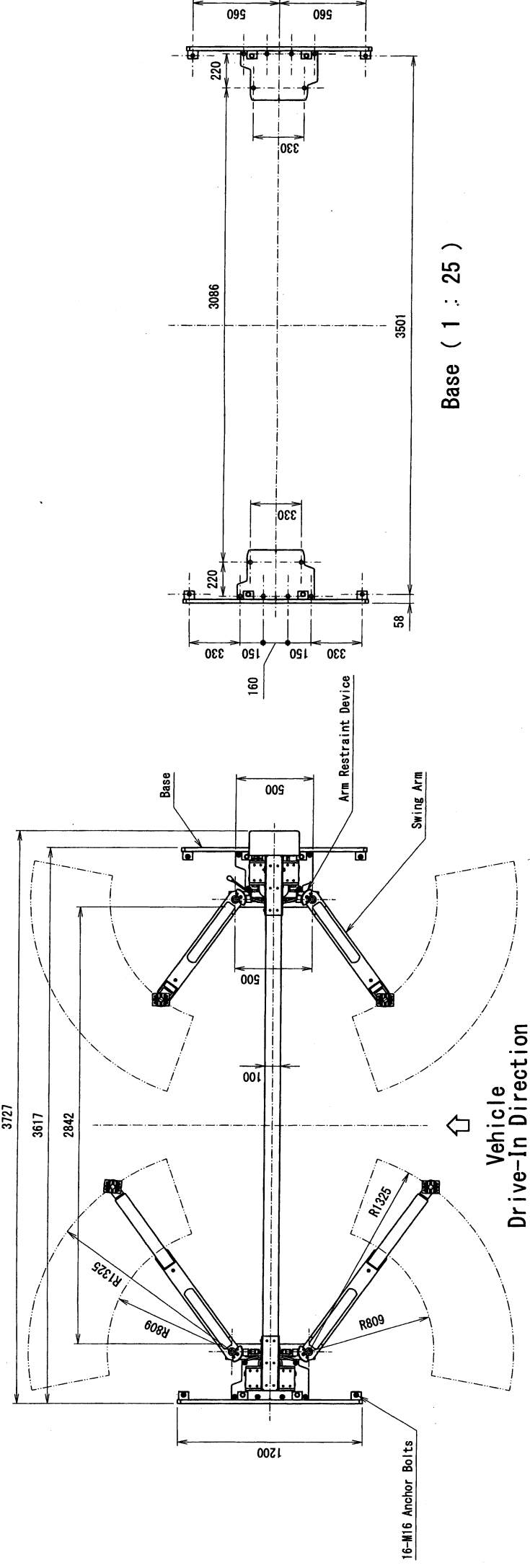
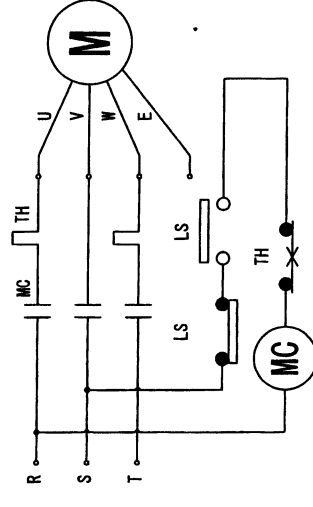


Spec.

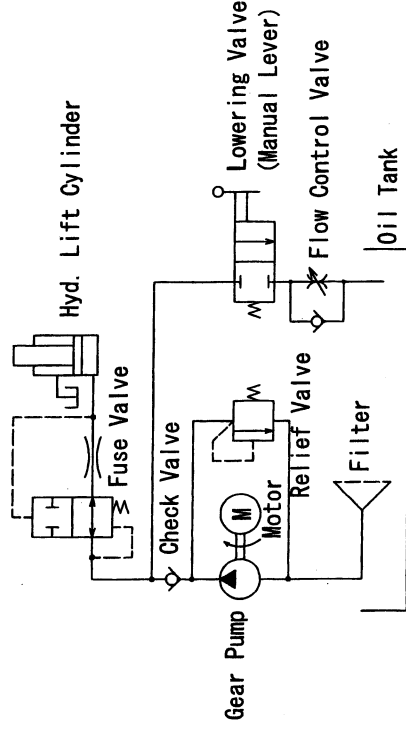
Model No.	NSA3500N
Capacity	3500kgs
Vertical Travel	1800mm
Control	Lever Type
Power	3 Phase
Motor	1.5kW 4P.10 Minutes Rating
Rising Speed	Approx. 59 Sec (60Hz) Approx. 70 Sec (50Hz)
Oil Volume	8L (ISO VG32)
Weight of Automotive lift equipment	910 kgs
Weight of maximum Vehicle including load calculation	4200 kgs
Total weight requirement for necessary for equipment and vehicle	5110 kgs



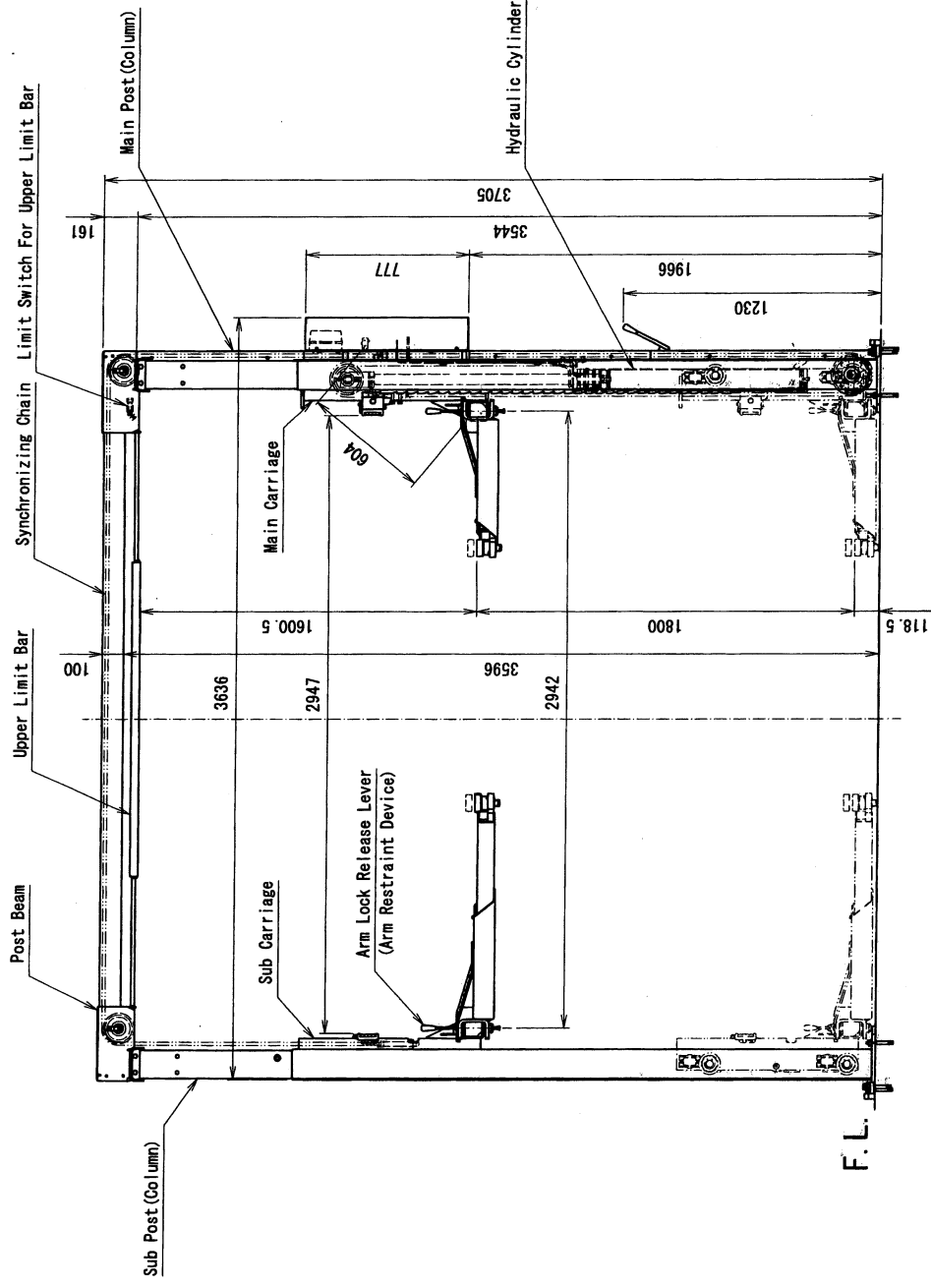
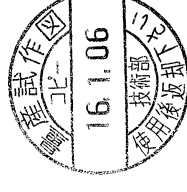
Base (1 : 25)



Electric Circuit



Hydraulic Circuit



承認	16.1.06	品名	NSA3500N
検査	16.1.06	図番	NSA3500N
製	16.1.06	製	中村
日	16.1.06	日	2016/01/05
寸	16.1.06	寸	1:25
度	16.1.06	度	